

Part 5808959 For Instructional Use Only.  
 EC 180819C Not for Troubleshooting.

Figure 12-16. Card Schematic, 4.0V Regulator Card (Part 1)

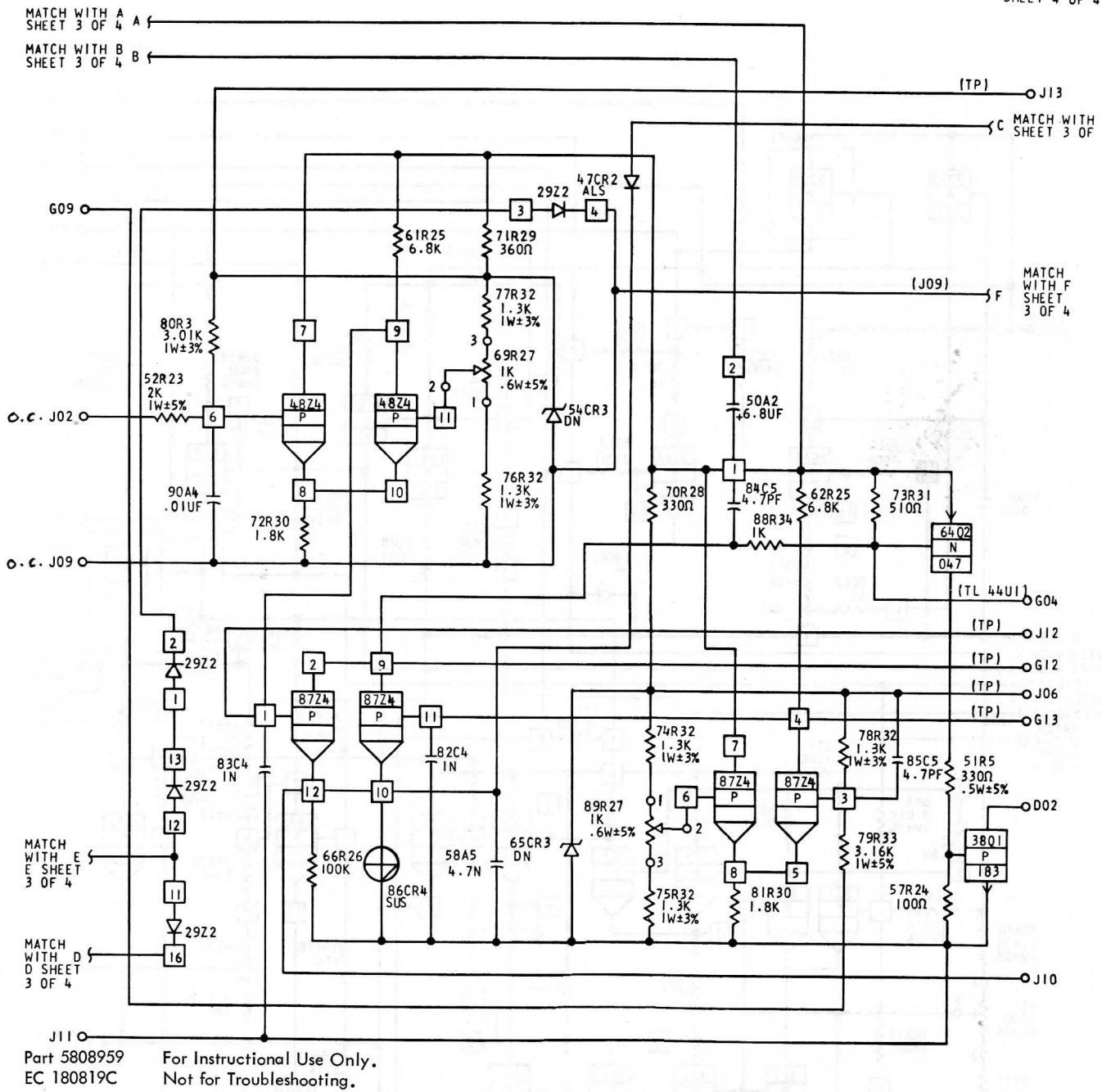


Figure 12-16. Card Schematic, 4.0V Regulator Card (Part 2)